

EXTERNAL BLINDS



 5 YEAR WARRANTY





EXTERNAL BLINDS

FOR RELAXED INDOOR / OUTDOOR LIVING

As Australia's premier independently owned blind and awning manufacturer, Helioscreen knows what is required to provide the best possible light solution for our uniquely harsh environment. External Blinds repel up to 90% of the sun's heat and also reflect and absorb harmful UV radiation.

External Blinds are designed to control the entry of natural light. They increase the thermal comfort of the internal space with impressive heat gain reductions, and increase visual comfort by reducing glare while maintaining views from the inside.

By installing a **Helioscreen Sun Control System**, the internal conditions of any room are improved. The demand on air conditioning systems are quickly reduced – saving energy and reducing greenhouse gas emissions.



FABRIC

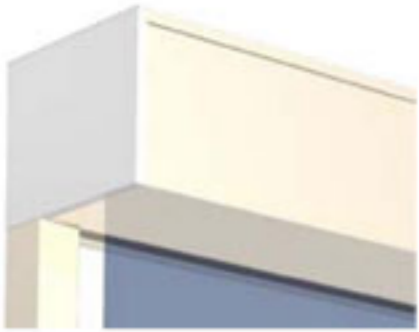
Helioscreen's Outdoor Living fabric ranges **Helio86** and **Helio93** come in a wide range of classic and contemporary colours to suit any façade. These fabrics are designed to take the toughest of treatments and boast the strongest tear strength on the market. They are anti-static for easy cleaning, anti fungal and fire retardant, providing years of safe low maintenance use.

BENEFITS:

- Visibility toward the outside
- Thermal and visual comfort
- Tear resistance
- Dimensional stability
- Long life
- Low maintenance
- Fire retardant
- Anti fungal

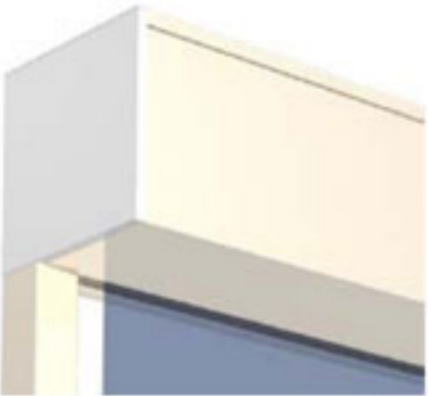


HEADBOX TYPES



95 x 95mm

Max width 3m – Up to 9sqm



110 x 110mm

Max width 3.8m – Up to 11sqm



105mm round

Max width 3m – Up to 9sqm

SYSTEMS

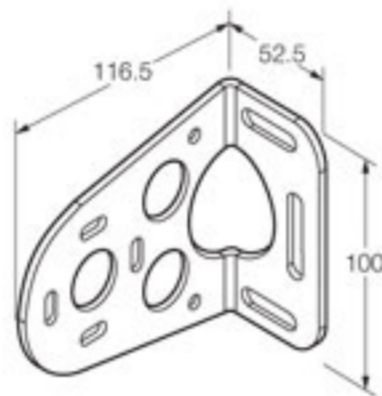
European designed and engineered, Helioscreen's external headbox blind systems are built to last. Tough non-corrosive componentry will ensure years of trouble free operation.

Motorising your external blinds enables maximum ease of use and a clean uncluttered aesthetic. Systems can also be linked together on one motor for maximum efficiency.

Choose from the discrete square headbox of the **HM 65 95** and **HM 80 110** systems, or the elegant rounded profile of the **HM 65 105 ROUND** system. Also available are the open systems (no headbox) **HM 80 00 STAINLESS**, and **HM 130 00** which are able to be installed under eaves and can span widths of up to 5.4 metres in one blind.

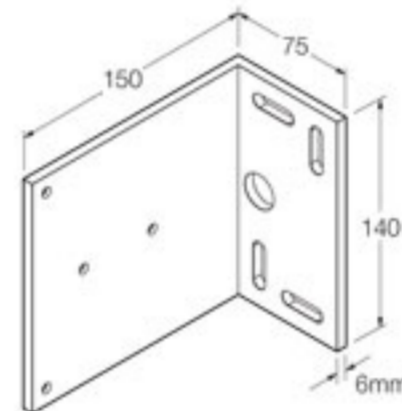
Heavy-duty yet attractive **HELIO** or **TEARDROP** shaped weighted base bars increase stability in the elements and ensure optimal presentation of the fabric at all times. Choose from sleek aluminium side channels or marine grade stainless-steel cables, with fittings to suit any application.

OPEN SYSTEMS



HM 80 Stainless

Max width 3.8m – Up to 11sqm



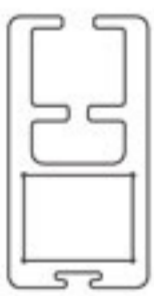
HM 100 00 System

Max width 4.4m – Up to 12sqm

HM 130 00 System

Max width 5.4m – Up to 13sqm

BASEBAR TYPES



Helio

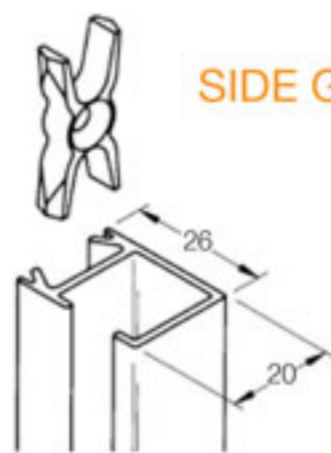
18 x 35mm



Teardrop

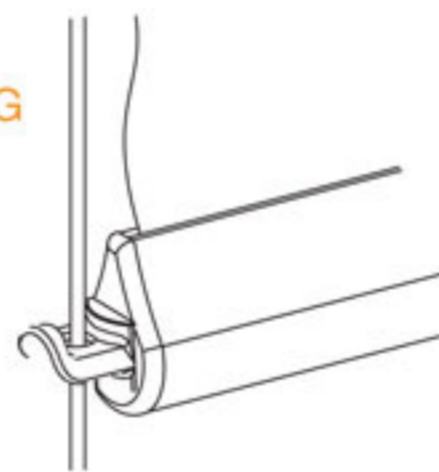
22 x 37mm

SIDE GUIDING



Side Channel

20 x 26mm



Stainless Cables

316 Grade

CONTROL

At Helioscreen we utilise the latest technology automation, including fully integrated façade management systems that react automatically to the elements. Blinds can be operated simply with a wall switch, a touch panel, or using a remote control.





Helioscreen external blind systems are suitable in both commercial and domestic applications and come with quality and performance warranties.

FEATURES

- Reduces sun's heat by up to 90%
- Reduces air conditioning costs
- Easy to use, motorised or crank operation
- Sun and wind sensor options
- Stainless steel guide cables or side aluminium channels
- Headboxes to suit architecture
- Open systems available (no headbox)
- Hardware finish: either anodised aluminium or choose from over 150 powder coat colours
- Link blinds together on one motor
- 5 Year warranty

HELIOSCREEN'S OUTDOOR RANGE

- 🔥 90% Reduced Heat Radiation
- 🌀 Windsensor Retractor
- 🔒 5 Year Warranty
- 🔌 Powered by Somfy 5-year Motor Warranty

External Screens, Awnings, External Venetians, and Retractable Roof Systems

Unit 2, 9 Milford Street, East Victoria Park, WA 6101
TEL: 08 9361 2728
email: info@awningrepublic.com.au



Providers of high quality Outdoor Blinds, Awnings and Umbrellas